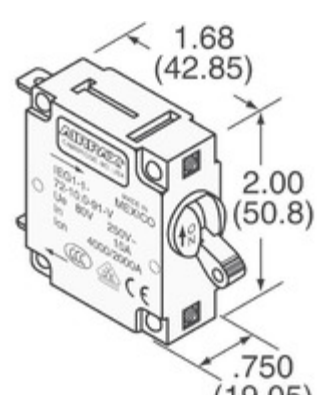


IEG1-1-52-6.00-A-01-V



Images are for reference only.
See Product Specifications for product details.
Buy IEG1-1-52-6.00-A-01-V with confidence from Component-World.HK, 1 Year Warranty



Part Number: [IEG1-1-52-6.00-A-01-V](#)
Manufacturer: [Sensata Technologies, Airpax](#)
Description: CIR BRKR MAG-HYDR LEVER 6A
Data sheet: [IEG,IUG,JEG,CEG,LEG Series Datasheet](#)

RoHS Status: Lead free / RoHS Compliant
Ship From: Hong Kong
Shipment Way: DHL/Fedex/TNT/UPS/EMS

[Request For Quotation](#)

PRODUCT PARAMETER

Part Number	IEG1-1-52-6.00-A-01-V	Manufacturer	Sensata Technologies, Airpax
Description	CIR BRKR MAG-HYDR LEVER 6A	Lead Free Status / RoHS Status	Lead free / RoHS Compliant
Quantity Available	2043 pcs	Data sheet	IAG,IUG,JEG,CEG,LEG Series Datasheet
Category	Circuit Protection	Series	IEG
Number of Poles	1	Mounting Type	Panel Mount
Moisture Sensitivity Level (MSL)	1 (Unlimited)	Manufacturer Standard Lead Time	6 Weeks
Lead Free Status / RoHS Status	Lead free / RoHS Compliant	Illumination Voltage (Nominal)	-
Illumination	-	Current Rating	6A
Breaker Type	Magnetic (Hydraulic Delay)	Actuator Type	Lever

Component-World.com is a Reliable Stocking Distributor of Electronic Components. We specialize in all Sensata Technologies, Airpax series electronic components. We have 2043 pieces of Sensata Technologies, Airpax IEG1-1-52-6.00-A-01-V in stock available now. Request a quote from electronics components distributor at Component-World.com, our sales team will contact you within 24 hours.

RFQ Email: info@Components-World.com

RELATED PRODUCTS

	Part#: IEG1-1-61-10.0-01-V Description: CIR BRKR MAG-HYDR LEVER 10A	Manufacturers: Sensata Technologies, Airpax	RFQ
	Part#: IEG1-1-52-7.50-01-V Description: CIR BRKR MAG-HYDR 7.5A LEVER	Manufacturers: Sensata Technologies, Airpax	RFQ
	Part#: IEG1-1-61-1.50-01-V Description: CIR BRKR MAG-HYDR LEVER 1.5A	Manufacturers: Sensata Technologies, Airpax	RFQ
	Part#: IEG1-1-52-25.0-A-01-V Description: CIR BRKR MAG-HYDR	Manufacturers: Sensata Technologies, Airpax	RFQ
	Part#: IEG1-1-52-30.0-A-01-V Description: CIR BRKR MAG-HYDR	Manufacturers: Sensata Technologies, Airpax	RFQ
	Part#: IEG1-1-52-30.0-21-V Description: CIR BRKR 30A 250VAC 80VDC	Manufacturers: Sensata Technologies, Airpax	RFQ
	Part#: IEG1-1-61-500-01-V Description: CIR BRKR MAG-HYDR LEVER .5A	Manufacturers: Sensata Technologies, Airpax	RFQ
	Part#: IEG1-1-59-5.00-01-V Description: CIR BRKR MAG-HYDR	Manufacturers: Sensata Technologies, Airpax	RFQ
	Part#: IEG1-1-61-1.00-01-V Description: CIR BRKR MAG-HYDR LEVER 1A	Manufacturers: Sensata Technologies, Airpax	RFQ
	Part#: IEG1-1-52-7.50-A-01-V Description: CIR BRKR MAG-HYDR	Manufacturers: Sensata Technologies, Airpax	RFQ
	Part#: IEG1-1-52-25.0-01-V Description: CIR BRKR MAG-HYDR LEVER 25A	Manufacturers: Sensata Technologies, Airpax	RFQ
	Part#: IEG1-1-52-4.00-A-01-V Description: CIR BRKR MAG-HYDR	Manufacturers: Sensata Technologies, Airpax	RFQ
	Part#: IEG1-1-61-1.00-C-91-V Description: CIR BRKR MAG-HYDR LEVER 1A	Manufacturers: Sensata Technologies, Airpax	RFQ
	Part#: IEG1-1-59-30.0-01-V Description: CIR BRKR MAG-HYDR LEVER 30A	Manufacturers: Sensata Technologies, Airpax	RFQ
	Part#: IEG1-1-61-15.0-01-V Description: CIR BRKR MAG-HYDR LEVER 15A	Manufacturers: Sensata Technologies, Airpax	RFQ
	Part#: IEG1-1-52-3.00-A-01-V Description: CIR BRKR MAG-HYDR LEVER 3A	Manufacturers: Sensata Technologies, Airpax	RFQ
	Part#: IEG1-1-52-5.00-01-V Description: CIR BRKR MAG-HYDR LEVER 5A	Manufacturers: Sensata Technologies, Airpax	RFQ
	Part#: IEG1-1-52-30.0-01-V Description: CIR BRKR MAG-HYDR 30A LEVER	Manufacturers: Sensata Technologies, Airpax	RFQ
	Part#: IEG1-1-52-20.0-A-01-V Description: CIR BRKR MAG-HYDR	Manufacturers: Sensata Technologies, Airpax	RFQ
	Part#: IEG1-1-52-5.00-A-01-V Description: CIR BRKR MAG-HYDR LEVER 5A	Manufacturers: Sensata Technologies, Airpax	RFQ

Related keywords for IEG1-1-52-6.00-A-01-V

V	Sensata Technologies, Airpax IEG1-1-52-6.00-A-01-V	IEG1-1-52-6.00-A-01-V distributor	IEG1-1-52-6.00-A-01-V supplier	IEG1-1-52-6.00-A-01-V price
		IEG1-1-52-6.00-A-01-V download datasheet	IEG1-1-52-6.00-A-01-V datasheet	IEG1-1-52-6.00-A-01-V stock
	buy IEG1-1-52-6.00-A-01-V	Sensata Technologies, Airpax IEG1-1-52-6.00-A-01-V	Sensata Technologies/Airpax IEG1-1-52-6.00-A-01-V	